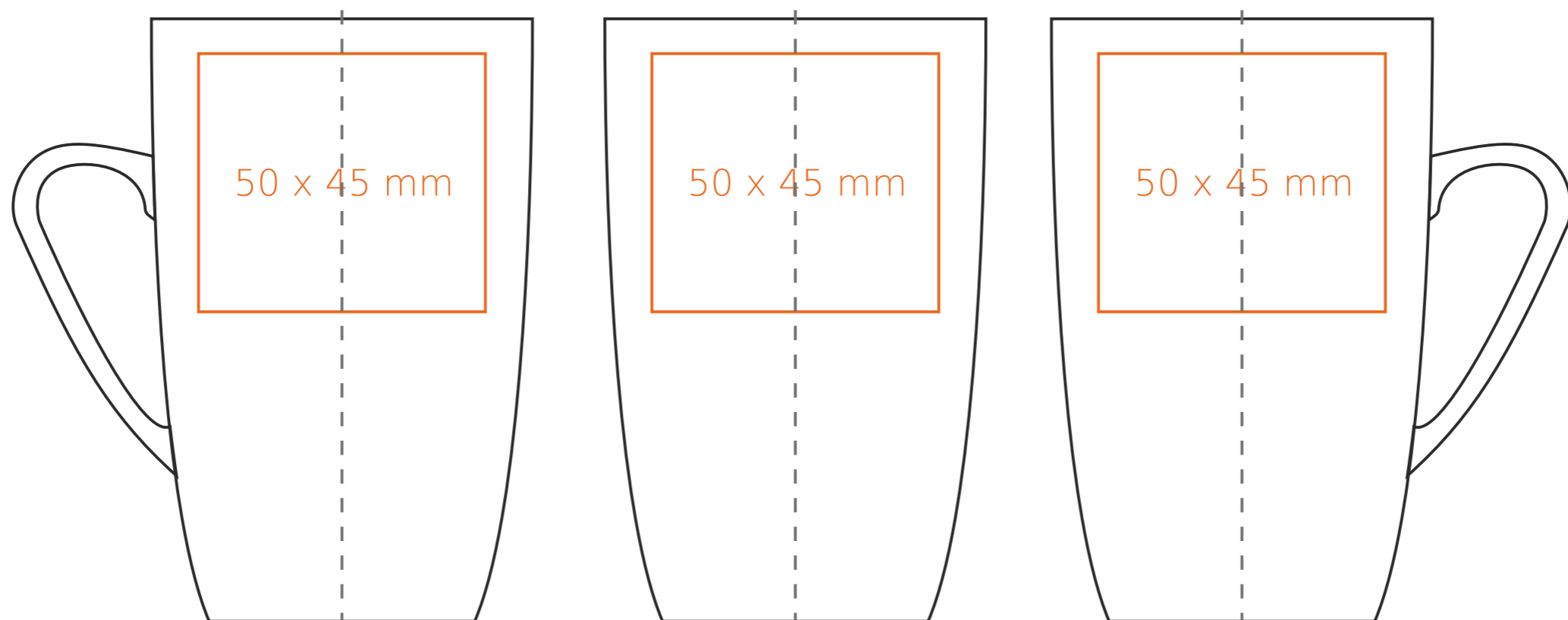


# M/047 Quadro

300 ml / h: 105 mm / Ø 82 mm



Imprint on the handle	- 40 x 10 mm
Imprint on the inside	- 40 x 10 mm
Imprint on the bottom inside	- Ø 30 mm
Imprint on the bottom outside	- Ø 40 mm

\*In the case of projects for transfer print running outside of the standard print area, please contact our sales department.

[How to prepare print material](#)

meaning

— Transfer Print  
— Sensitive Touch